



SOLUTIONS FOR JOINTS: ZEMENTOL TR crack-inducing pipe



Description:

- The ZEMENTOL TR is a crack-inducing pipe that is used to induce intentional cracks in reinforced concrete and simultaneous waterproofing against pressurised water.
- It can be used to cast the concrete for several wall sections in one pour and for prefabricated walls.
- Optimised anchorage in the concrete.
- Temperature resistant from -20°C to +60°C.
- Fire resistant according to DIN 4102.
- If necessary, safe and efficient seams can be formed by thermal welding.

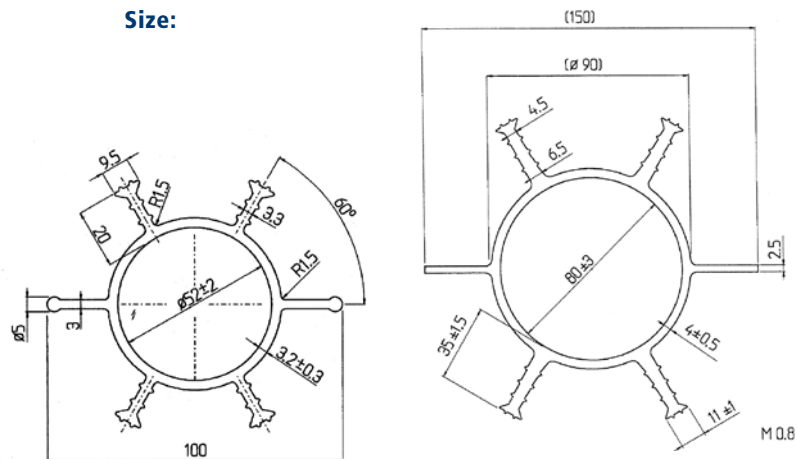
Material and components:

- The waterproofing pipe with four anchors and two crack-inducing lips are made out of thermoplastic material (plasticized PVC-P).
- The internal reinforcement pipe is made out of unplasticized PVC.

Installation:

- For all projects that use the ZEMENTOL® System, the information required for the installation of the crack inducing pipes is included in the detailed system drawings. The contractor installs the ZEMENTOL TR. The ZEMENTOL staff weld and fill the pipes with waterproof concrete.
- In the area of the joint between slab and wall the ZEMENTOL TR may only be used together with a ZEMENTOL AFB.
- The lower section of the ZEMENTOL TR is cut at right angles to the crack-inducing lips. It can be placed on the ZEMENTOL AFB that are installed in the centre of the walls. The distance between the ZEMENTOL TR and the slab should be around 5cm.
- The ZEMENTOL TR is adjusted vertically and fixed. It is filled with fine concrete during the casting of the walls.

Size:



ZEMENTOL TR60

ZEMENTOL TR90

(sizes in mm)

product type	diameter (in mm)	length (in mm)
ZEMENTOL TR 60/ 250	60	2500
ZEMENTOL TR 60/ 300	60	3000
ZEMENTOL TR 90/ 250	90	2500
ZEMENTOL TR 90/ 300	90	3000

Special length on demand.

Delivery unit:

- Individual cut ZEMENTOL TR.